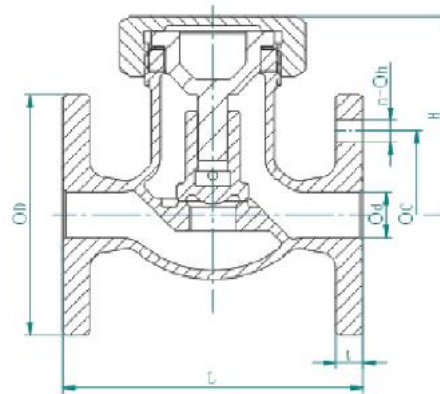
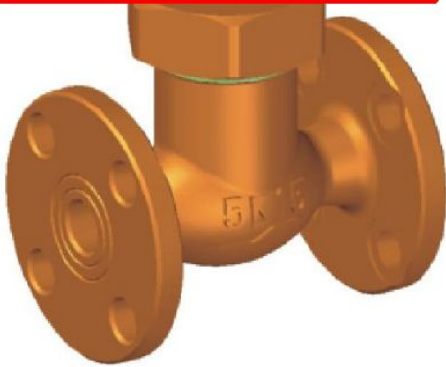




JIS F7415 Bronze Lift Check Globe Valve 5K-(Union Bonnet Type)

ZMC Metal
<http://www.zmcsteel.com>



MATERIAL SHEET

No:	Parts	Material
1	Body	JIS H5111-BC
2	Disc Guide	JIS H5111-BC6 or JIS H3250-C
3	Bonnet	C3771BC/BE
4	Disc	JIS F7102
5	Gasket	JIS F7102

Dimension Sheet

DN	Size	H	D	C	n	h	Weight (KGS)
	L						
15	100	66	80	60	4	12	
20	110	71	85	65	4	12	
25	120	81	95	75	4	12	
32	140	83	115	90	4	15	
40	160	91	120	95	4	15	

ZMC METAL

ADD: ZMC BUILDING, 101-2#, ZHONGSHAN ROAD, HANGZHOU, CHINA

POST CODE: 310003

TEL: +86-571-28938368

FAX: +86-571-87922182,87016758

[HTTP://WWW.ZMCSTEEL.COM](http://www.zmcsteel.com), [HTTP://WWW.ZMCMETAL.COM](http://www.zmcmetal.com),

EMAIL: [INFO@ZMCSTEEL.COM](mailto:info@zmcsteel.com), [SALES@ZMCMETAL.COM](mailto:sales@zmcmetal.com), [ZMCJORGE@GMAIL.COM](mailto:zmcjorge@gmail.com).