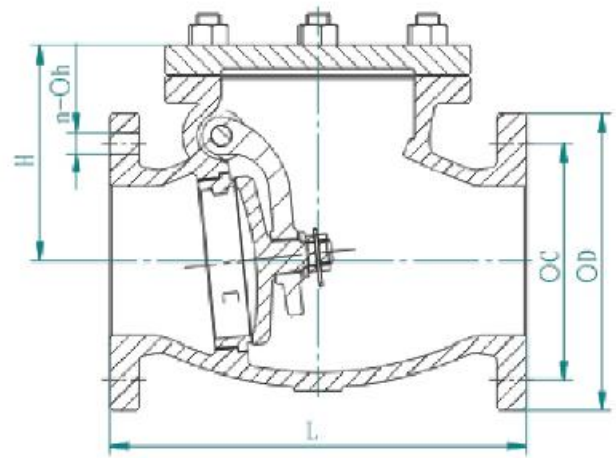




JIS F7371 Bronze Swing Check Valve 5K

ZMC Metal
<http://www.zmcsteel.com>



MATERIAL SHEET

No:	Parts	Material
1	Body	JIS H5111-BC6
2	Bonnet	
3	Bonnet Nut	
4	Disc	C3771BD/BE
5	Packing Gland	C3771BD
6	Packing Gland	JIS F7102

Dimension Sheet

DN	L	H	Flange Size				Weight (KGS)
			D	n	h	C	
15	110	69	80	4	12	60	2.29
20	110	69	85	4	12	65	2.98
25	110	69	95	4	12	75	4.1
32	130	79	115	4	15	90	5.79
40	140	93	120	4	15	95	7.78
50	190	97	130	4	15	105	
65	220	119	155	4	15	130	

ZMC METAL

ADD: ZMC BUILDING, 101-2#, ZHONGSHAN ROAD, HANGZHOU, CHINA

POST CODE: 310003

TEL: +86-571-28938368

FAX: +86-571-87922182,87016758

[HTTP://WWW.ZMCSTEEL.COM](http://www.zmcsteel.com), [HTTP://WWW.ZMCMETAL.COM](http://www.zmcmetal.com),

EMAIL: [INFO@ZMCSTEEL.COM](mailto:info@zmcsteel.com), [SALES@ZMCMETAL.COM](mailto:sales@zmcmetal.com), [ZMCJORGE@GMAIL.COM](mailto:zmcjorge@gmail.com).