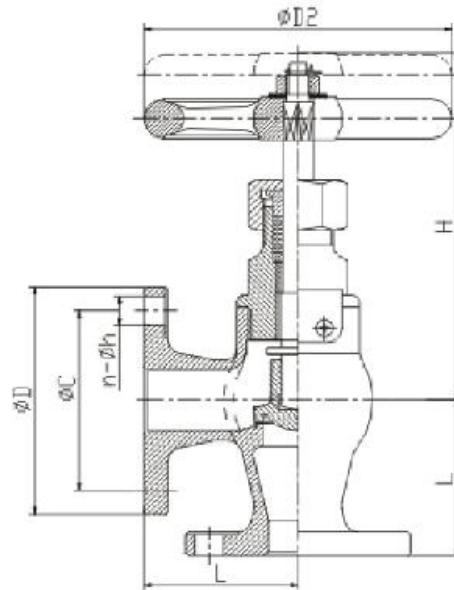




JIS F7352 Bronze Screw-down Check Angle Valve 5K

ZMC Metal
<http://www.zmcsteel.com>



MATERIAL SHEET

No:	Parts	Material	No:	Parts	Material
1	Body	JIS H5111-BC6	8	Hand wheel	FC200
2	Bonnet	JIS H5111-BC6	9	Hexagon Nut	C3604 BD
3	Disc	OR JIS H3250-C 3771 BD or C3771 BE	10	Split Pin	C2600W
4	Packing Gland		11	Bonnet Lock Plate	C2600P
5	Gland Nut		12	Packing	JIS F7102
6	Stem		13	Name Plate	C2801P
7	Head Screw	C2700W	14	Seat Ring	C3771BD/BE

Dimension Sheet

DN	Flange Size							Weight (KGS)
	L	D2	H	D	C	n	h	
15	55	80	120	80	60	4	12	1.92
20	60	100	125	85	65	4	12	2.64
25	65	125	140	95	75	4	12	3.30
32	80	125	145	115	90	4	15	4.63
40	85	140	160	120	95	4	15	5.81

ZMC METAL

ADD: ZMC BUILDING, 101-2#, ZHONGSHAN ROAD, HANGZHOU, CHINA

POST CODE: 310003

TEL: +86-571-28938368

FAX: +86-571-87922182,87016758

[HTTP://WWW.ZMCSTEEL.COM](http://www.zmcsteel.com), [HTTP://WWW.ZMCMETAL.COM](http://www.zmcmetal.com),

EMAIL: [INFO@ZMCSTEEL.COM](mailto:info@zmcsteel.com), [SALES@ZMCMETAL.COM](mailto:sales@zmcmetal.com), [ZMCJORGE@GMAIL.COM](mailto:zmcjorge@gmail.com).