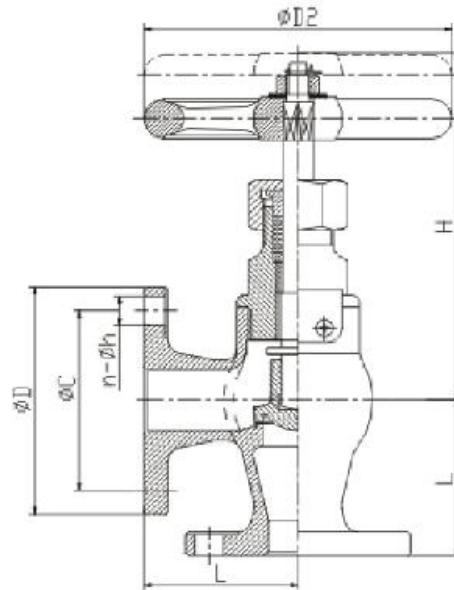




JIS F7410 Bronze Screw-down Check Angle Valve 16K

ZMC Metal
<http://www.zmcsteel.com>



MATERIAL SHEET

No:	Parts	Material	No:	Parts	Material
1	Body	JIS H5111-BC6	8	Hand wheel	FC200
2	Bonnet	JIS H5111-BC6	9	Hexagon Nut	C3604 BD
3	Disc	OR JIS H3250-C 3771 BD or C3771 BE	10	Split Pin	C2600W
4	Packing Gland		11	Bonnet Lock Plate	C2600P
5	Gland Nut		12	Packing	JIS F7102
6	Stem		13	Name Plate	C2801P
7	Head Machine Screw	C2700W	14	Seat Ring	C3771BD/BE

Dimension Sheet

DN	Size						Weight (KGS)
	L	D2	H	D	n	h	
15	70	80	120	95	4	12	2.67
20	75	100	125	100	4	12	3.56
25	85	125	140	125	4	12	5.02
32	95	125	145	135	4	15	6.58
40	100	140	160	140	4	15	7.95

ZMC METAL

ADD: ZMC BUILDING, 101-2#, ZHONGSHAN ROAD, HANGZHOU, CHINA

POST CODE: 310003

TEL: +86-571-28938368

FAX: +86-571-87922182,87016758

[HTTP://WWW.ZMCSTEEL.COM](http://www.zmcsteel.com), [HTTP://WWW.ZMCMETAL.COM](http://www.zmcmetal.com),

EMAIL: [INFO@ZMCSTEEL.COM](mailto:info@zmcsteel.com), [SALES@ZMCMETAL.COM](mailto:sales@zmcmetal.com), [ZMCJORGE@GMAIL.COM](mailto:zmcjorge@gmail.com).