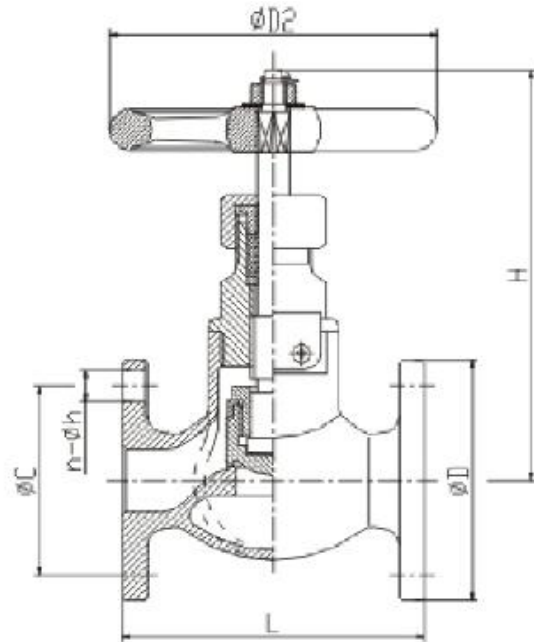
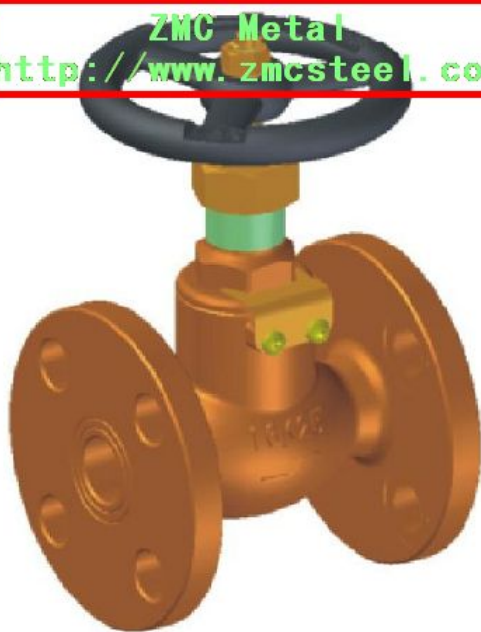




JIS F7303 Bronze Globe Valve 16K

ZMC Metal
<http://www.zmcsteel.com>



MATERIAL SHEET

No:	Parts	Material	No:	Parts	Material
1	Body	BC6	10	Hexagon Nut	C3604 BD
2	Bonnet	BC6 OR C3771 BD	11	Split Pin	C2600 W
3	Disc		12	Lock Plate	C2600 P
4	Valve Disc Nut		13	Disc Lock Washer	
5	Packing Gland		14	Stud	C3771 BD
6	Gland Nut		15	Hexagon Nut	C3604 BD
7	Stem		C3771 BD	16	Packing
8	Head Screw	C2700W	17	Gasket	
9	Hand Wheel	FC200	18	Name Plate	C2801 P

DIMENSION SHEET

DN	Flange Size							Weight (KGS)
	L	D2	H	D	C	n	h	
15	110	80	130	95	70	4	15	2.76
20	120	100	140	100	75	4	15	3.72
25	130	125	160	125	90	4	19	5.20
32	160	125	170	135	100	4	19	6.91
40	180	140	190	140	105	4	19	8.43

ZMC METAL

ADD: ZMC BUILDING, 101-2#, ZHONGSHAN ROAD, HANGZHOU, CHINA

POST CODE: 310003

TEL: +86-571-28938368

FAX: +86-571-87922182,87016758

[HTTP://WWW.ZMCSTEEL.COM](http://www.zmcsteel.com), [HTTP://WWW.ZMCMETAL.COM](http://www.zmcmetal.com),

EMAIL: [INFO@ZMCSTEEL.COM](mailto:info@zmcsteel.com), [SALES@ZMCMETAL.COM](mailto:sales@zmcmetal.com), [ZMCJORGE@GMAIL.COM](mailto:zmcjorge@gmail.com).