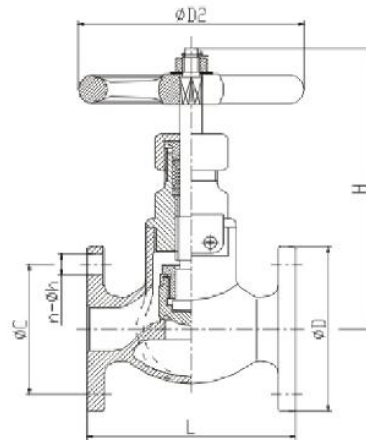




JIS F7301 Bronze Globe Valve 5K

ZMC Metal
<http://www.zmcsteel.com>



MATERIAL SHEET

No:	Parts	Material	No:	Parts	Material
1	Body	BC6	10	Hexagon Nut	C3604 BD
2	Bonnet	BC6 OR C3771 BD	11	Split Pin	C2600 W
3	Disc		12	Lock Plate	C2600 P
4	Valve Disc Nut		13	Disc Lock Washer	
5	Packing Gland		14	Stud	C3771 BD
6	Gland Nut		15	Hexagon Nut	C3604 BD
7	Stem		C3771 BD	16	Packing
8	Head Screw	C2700W	17	Gasket	
9	Hand Wheel	FC200	18	Name Plate	C2801 P

Dimension Sheet

DN	Flange Size							Weight (KGS)
	L	D2	H	D	C	n	h	
15	100	80	130	80	60	4	12	2.02
20	110	100	140	85	65	4	12	2,86
25	120	125	160	95	75	4	12	3.54
32	140	125	170	115	90	4	15	5
40	160	140	190	120	95	4	15	6.48
50	210	140	235	130	105	4	15	11.7
65	250	160	260	155	130	4	15	17
80	280	160	280	180	145	4	19	
100	340	200	333	200	165	8	19	

ZMC METAL

ADD: ZMC BUILDING, 101-2#, ZHONGSHAN ROAD, HANGZHOU, CHINA

POST CODE: 310003

TEL: +86-571-28938368

FAX: +86-571-87922182,87016758

[HTTP://WWW.ZMCSTEEL.COM](http://www.zmcsteel.com), [HTTP://WWW.ZMCMETAL.COM](http://www.zmcmetal.com),

EMAIL: [INFO@ZMCSTEEL.COM](mailto:info@zmcsteel.com), [SALES@ZMCMETAL.COM](mailto:sales@zmcmetal.com), [ZMCJORGE@GMAIL.COM](mailto:zmcjorge@gmail.com).