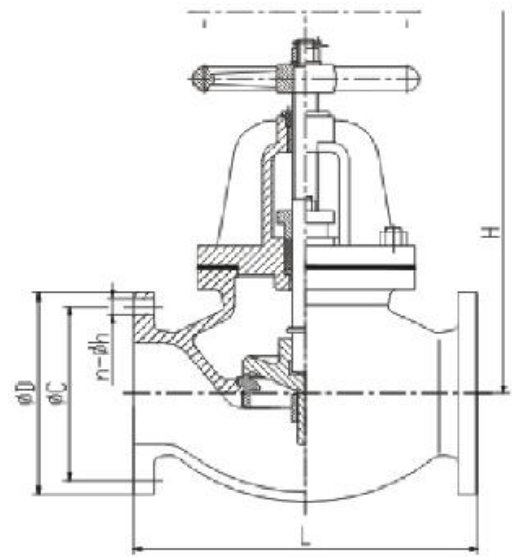




JIS F7377 Cast Iron Marine Screw-Down Check Globe Valve 16K

ZMC Metal
<http://www.zmcsteel.com>



MATERIAL SHEET

| No: | Parts | Material | No: | Parts | Material |
|-----|---------------------|----------|-----|------------------|---------------|
| 1 | Body | FC200 | 10 | Hexagon Nut | SS400/C3604BD |
| 2 | Bonnet | FC200 | 11 | Split Pin | C2600W |
| 3 | Hand Wheel | FC200 | 12 | Lock Pin | SS400 |
| 4 | Disc | BC6 | 13 | Disc Lock Washer | C2600P |
| 5 | Valve Seat | BC6 | 14 | Stud | SS400/C3771BD |
| 6 | Screwed Bonnet Bush | BC6 | 15 | Stem | C3711BD/BE |
| 7 | Seat Ring | BC6 | 16 | Packing | JIS F7102 |
| 8 | Packing Gland | BC6 | 17 | Gasket | JIS F7102 |
| 9 | Name Plate | C2801P | | | |

Dimension Sheet

| DN | Flange Size | | | | | | | Weight (KGS) |
|-----|-------------|-----|-----|-----|-----|----|----|--------------|
| | L | D2 | H | D | C | n | h | |
| 50 | 220 | 160 | 285 | 155 | 120 | 8 | 19 | 19.6 |
| 65 | 270 | 200 | 305 | 175 | 140 | 8 | 19 | 28.2 |
| 80 | 300 | 224 | 335 | 200 | 160 | 8 | 23 | 40.5 |
| 100 | 350 | 250 | 375 | 225 | 185 | 8 | 23 | 56.9 |
| 125 | 430 | 315 | 440 | 270 | 225 | 8 | 25 | 89.5 |
| 150 | 500 | 355 | 500 | 305 | 260 | 12 | 25 | 123 |

ZMC METAL

TEL: +86-571-28938368 FAX: +86-571-87922182,87016758 EMAIL: INFO@ZMCSTEEL.COM