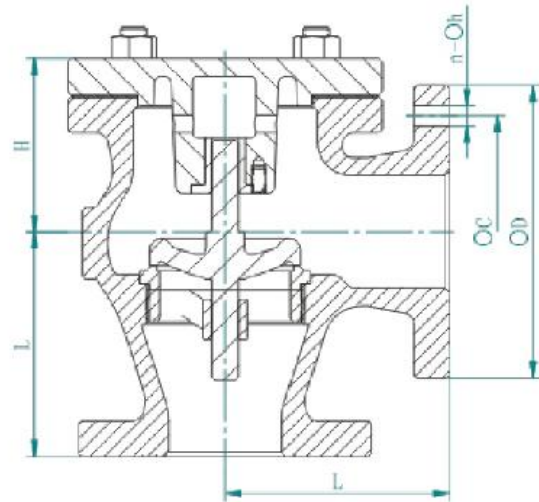




JIS F7359 Cast Iron Marine Lift Check Angle Valve 5K

ZMC Metal
<http://www.zmcsteel.com>



MATERIAL SHEET

No:	Parts	Material
1	Body	FC200
2	Bonnet	FC200
3	Disc	BC6
4	Valve Seat	BC6
5	Bush	BC6
6	Stud	BC6
7	Hexagon Unit	SS400
8	Set Screw	SS400
9	Gasket	JIS F7102

Dimension Sheet

DN	Size						Weight (KGS)
	L	H	D	C	n	h	
50	100	77	130	105	4	15	9.5
65	115	81	155	130	4	15	13.8
80	130	84	180	145	4	19	18.9
100	150	96	200	165	8	19	26.6
125	170	108	235	200	8	19	36.7
150	190	125	265	230	8	19	50.9
200	220	157	320	280	8	23	95.0
250	275	180	385	345	12	23	

ZMC METAL

TEL: +86-571-28938368 FAX: +86-571-87922182,87016758 EMAIL: INFO@ZMCSTEEL.COM