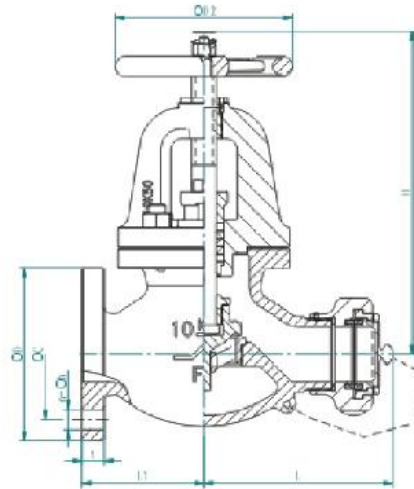




JIS F7333 Cast Iron Marine Globe Hose Valve

ZMC Metal
<http://www.zmcsteel.com>



MATERIAL SHEET

No:	Parts	Material	No:	Parts	Material
1	Body	FC200	17	Lock Pin	SS400
3	Bonnet	FC200	18	Split Pin	C2600W
4	Hand Wheel	BC6	19	Disc Lock Washer	C2600P
5	Disk	BC6	20	Packing	JIS F7102
6	Valve Seat	BC6	21	Gasket	JIS F7102
7	Disc Nut	BC6/C3771BD	22	Hose Base Connection	BC6
8	Screwed Bonnet Bush	BC6	23	Cap	BC6
9	Bonnet Bush	BC6	24	Coupling Ring	BC6
10	Packing Gland	BC6	25	Set Ring	BC6
11	Stem	C3771BD/BE	26	Set Screw	C3771BD
12	Stud	C3101-SS400	27	Chain	C2600W
13	Stud	C3771BD	28	Gasket	Rubber
14	Hexagon Nut	SS400	29	Gasket	JIS F7102
15	Hexagon Nut	C3604BD	30	Name Plate	C2801P
16	Hexagon Nut	C3604BD			

Dimension Sheet

DN		Size							Weight (KGS)
		L	D2	H	D	C	n	h	
5K	50	165	160	270	130	105	4	15	14.7
10K	50	170	160	285	155	120	4	19	18.9
	65	200	200	310	175	140	4	19	28.2

ZMC METAL

TEL: +86-571-28938368 FAX: +86-571-87922182,87016758 EMAIL: INFO@ZMCSTEEL.COM