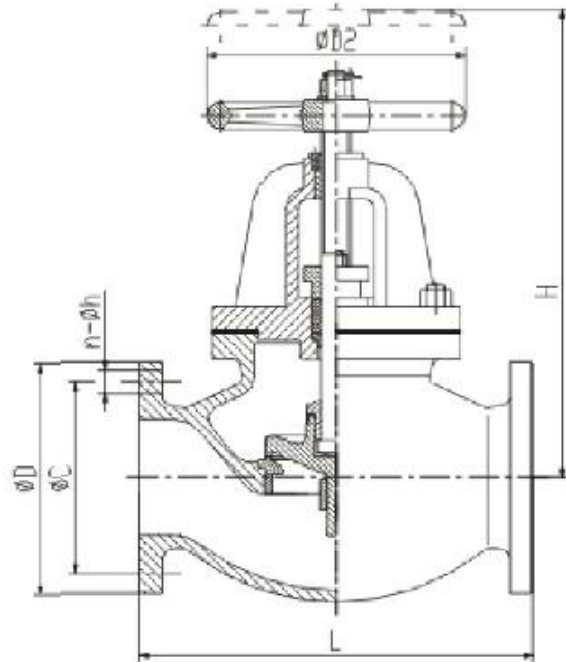




# JIS F7309 Cast Iron Marine Globe Valve 16K

ZMC Metal  
<http://www.zmcsteel.com>



## MATERIAL SHEET

No:	Parts	Material	No:	Parts	Material
1	Body	FC200	10	Hexagon Nut	SS400/C3604BD
2	Bonnet	FC200	11	Split Pin	C2600W
3	Disc	BC6	12	Lock Pin	SS400
4	Valve Seat	BC6	13	Disc Lock Washer	C2600P
5	Disc Nut	BC6	14	Stud	SS400/C3771BD
6	Screwed Bonnet Bush	BC6	15	Stem	C3711BD/BE
7	Seat Ring	BC6	16	Packing	JIS F7102
8	Packing Gland	BC6	17	Gasket	JIS F7102
9	Hand wheel	FC200	18	Name Plate	C2801P

## Dimension Sheet

DN	Flange Size							Weight (KGS)
	L	D2	H	D	C	n	h	
50	220	160	285	155	120	8	19	19.6
65	270	200	310	175	140	8	19	28.3
80	300	224	340	200	160	8	23	40.4
100	350	250	385	225	185	8	23	56.9
125	430	315	455	270	225	8	25	89.5
150	500	355	510	305	260	12	25	123
200	570	450	630	350	305	12	25	188

ZMC METAL

TEL: +86-571-28938368 FAX: +86-571-87922182,87016758 EMAIL: [INFO@ZMCSTEEL.COM](mailto:INFO@ZMCSTEEL.COM)