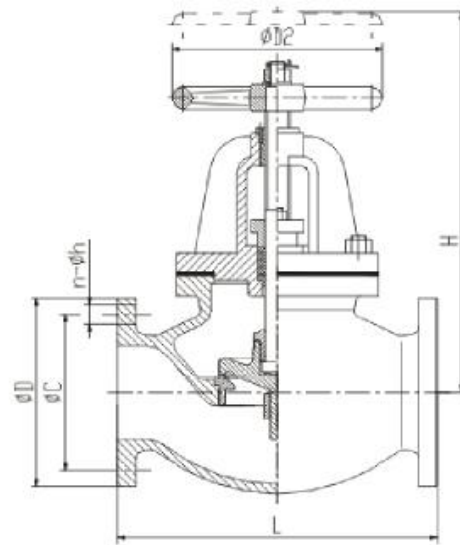
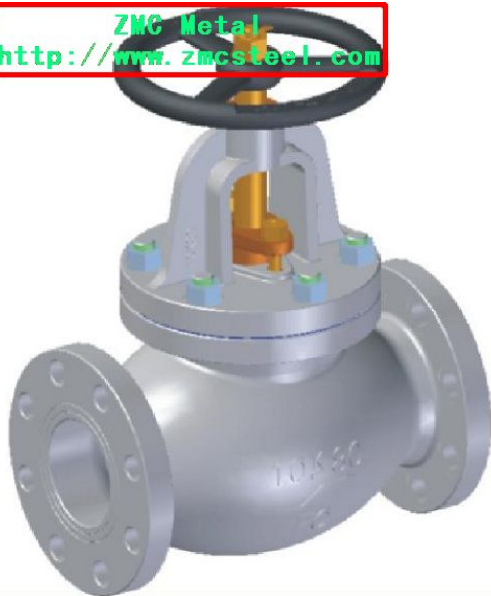




# JIS F7307 Cast Iron Marine Globe Valve 10K

ZMC Metal  
<http://www.zmcsteel.com>



## MATERIAL SHEET

No:	Parts	Material	No:	Parts	Material
1	Body	FC200	10	Hexagon Nut	SS400/C3604BD
2	Bonnet	FC200	11	Split Pin	C2600W
3	Disc	BC6	12	Lock Pin	SS400
4	Valve Seat	BC6	13	Disc Lock Washer	C2600P
5	Disc Nut	BC6	14	Stud	SS400/C3771BD
6	Screwed Bonnet Bush	BC6	15	Stem	C3711BD/BE
7	Seat Ring	BC6	16	Packing	JIS F7102
8	Packing Gland	BC6	17	Gasket	JIS F7102
9	Hand wheel	FC200	18	Name Plate	C2801P

## Dimension Sheet

DN	Flange Size							Weight (KGS)
	L	D2	H	D	C	n	h	
50	220	160	285	155	120	4	19	19.90
65	270	200	310	175	140	4	19	28.70
80	300	200	320	185	150	8	19	32.40
100	350	250	370	210	175	8	19	48.70
125	420	280	420	250	210	8	23	73.10
150	490	315	470	280	240	8	23	104.00
200	570	355	555	330	290	12	23	162.00
250	740	450	630	400	355	12	25	304.00
300	840	500	770	445	400	16	25	458.00

ZMC METAL

TEL: +86-571-28938368 FAX: +86-571-87922182,87016758 EMAIL: [INFO@ZMCSTEEL.COM](mailto:INFO@ZMCSTEEL.COM)