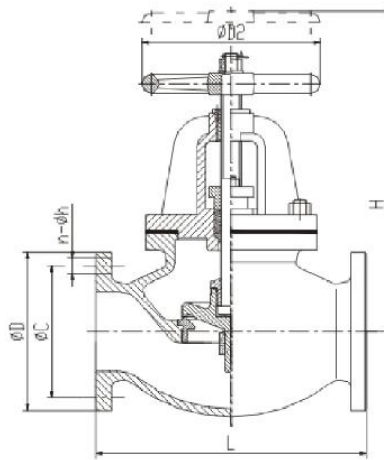




# JIS F7305 Cast Iron Globe Valve 5K

ZMC Metal  
<http://www.zmcsteel.com>



## MATERIAL SHEET

No:	Parts	Material	No:	Parts	Material
1	Body	FC200	11	Hexagon Nut	SS400/C3604BD
2	Bonnet	FC200	12	Split Pin	C2600W
3	Disc	BC6	13	Lock Pin	SS400
4	Valve Disc	BC6	14	Disc Lock Washer	C2600P
5	Disc Nut	BC6	15	Stud	SS400/C3771BD
6	Screw Bonnet Bush	BC6	16	Disc Guide Stem	BC6
7	Seat Ring	BC6	17	Packing	JIS F7102
8	Packing Gland	BC6	18	Gasket	JIS F7102
9	Hand wheel	FC200	19	Name Plate	C2801P
10	Stem	C3771BD/BE			

## Dimension Sheet

DN	Flange Size							Weight (KGS)
	L	D2	H	D	C	n	h	
50	210	160	270	130	105	4	15	14.7
65	250	180	300	155	130	4	15	21.3
80	280	180	310	180	145	4	19	27.7
100	340	224	360	200	165	8	19	40.8
125	410	250	390	235	200	8	19	57.6
150	480	280	445	265	230	8	19	80.3
200	570	315	530	320	280	8	23	139
250	740	355	650	385	345	12	23	246
300	840	400	740	430	390	12	23	377
350	940	500	840	480	435	12	25	462
400	1050	560	940	540	495	16	25	647

ZMC METAL

TEL: +86-571-28938368 FAX: +86-571-87922182,87016758 EMAIL: [INFO@ZMCSTEEL.COM](mailto:INFO@ZMCSTEEL.COM)